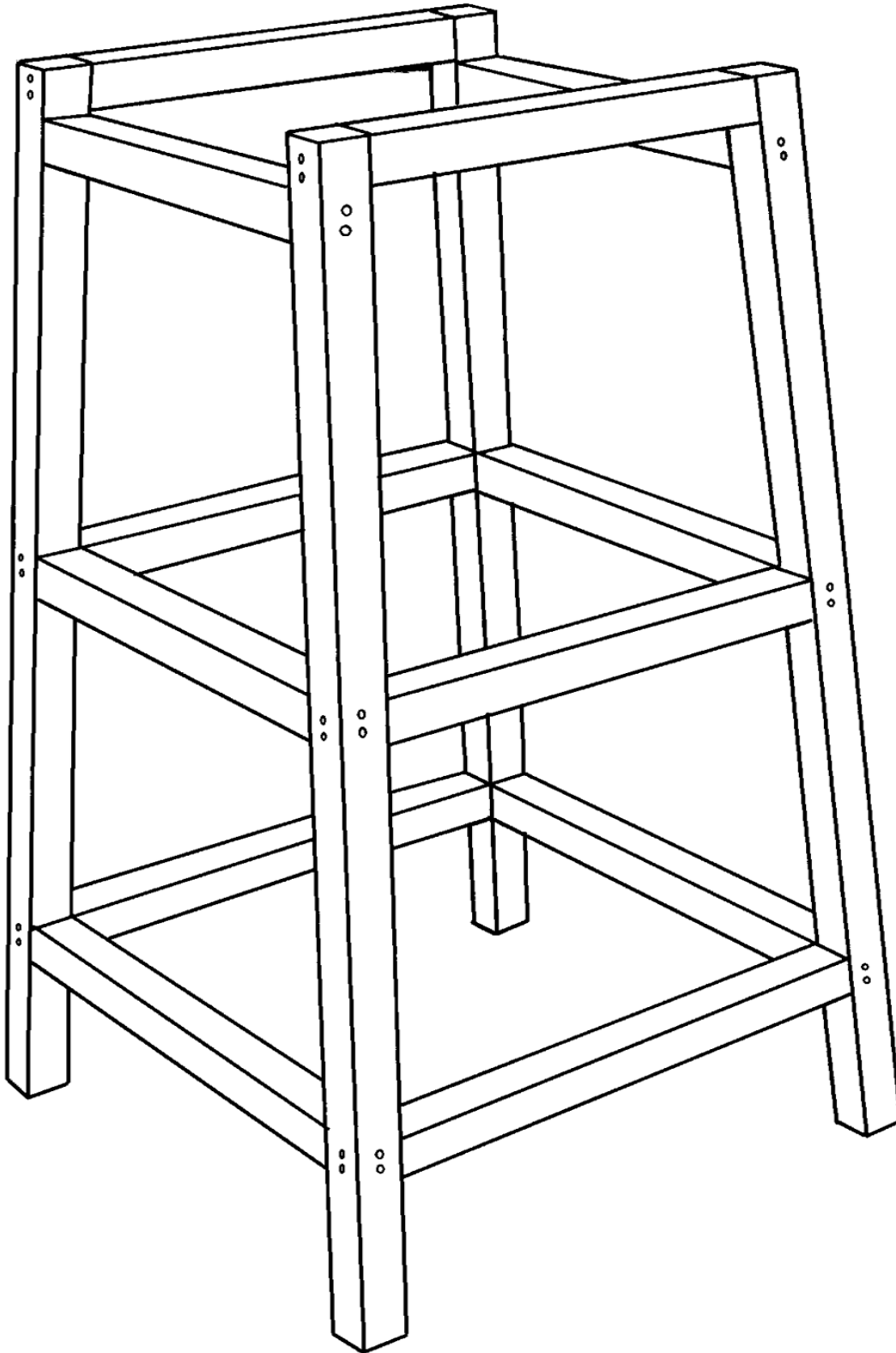




Generation Line

BY C.R. PLASTIC PRODUCTS INC

TB03

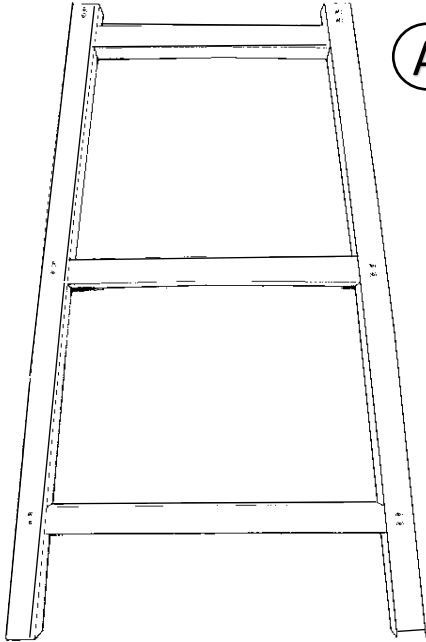




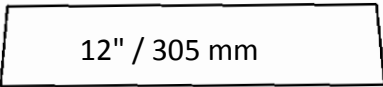
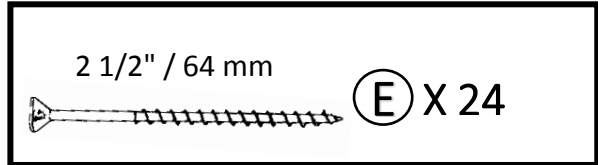
Generation Line

BY C.R. PLASTIC PRODUCTS INC

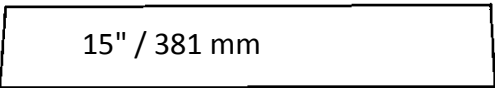
TB03



(A) X 2



(B) X 2



(C) X 2



(D) X 2



#2



800.490.1283

FAX

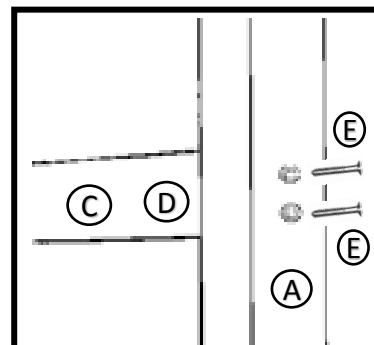
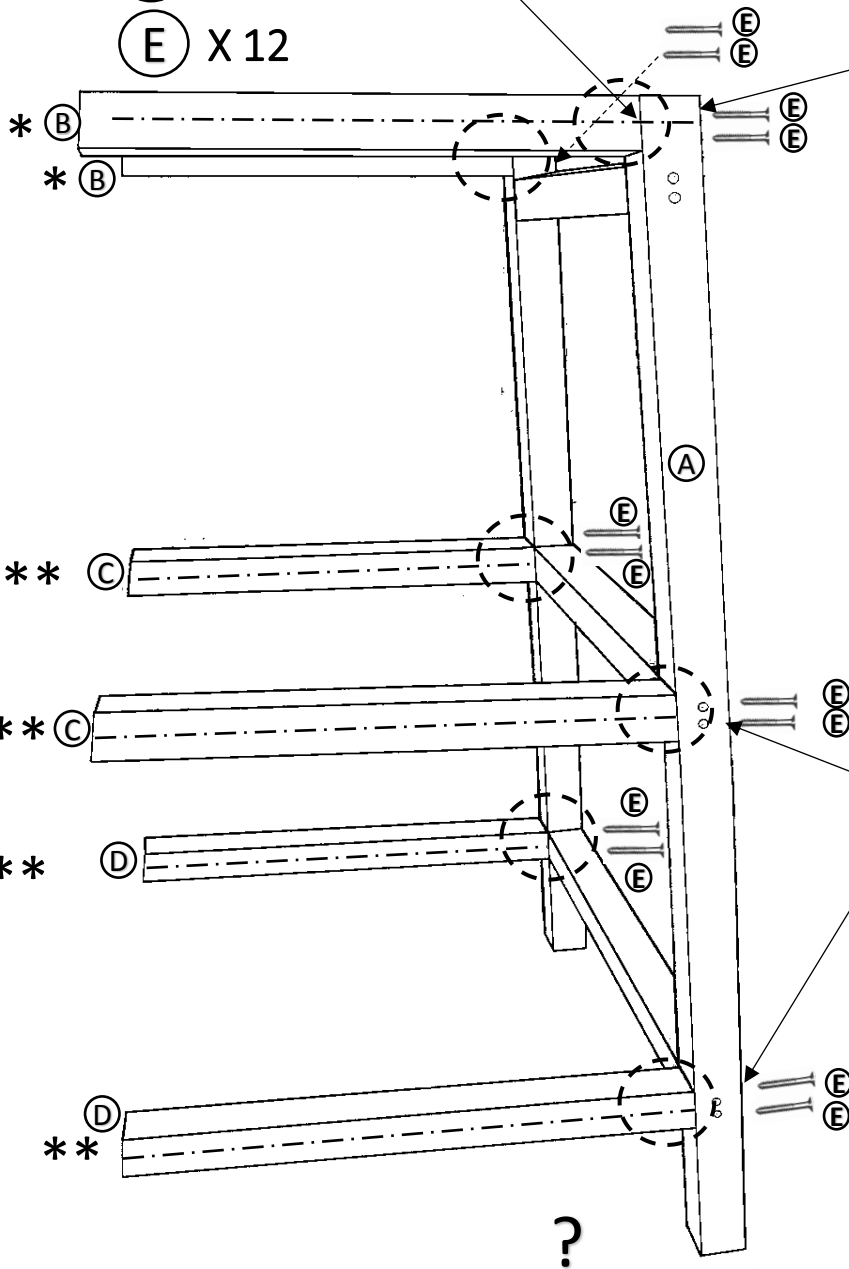
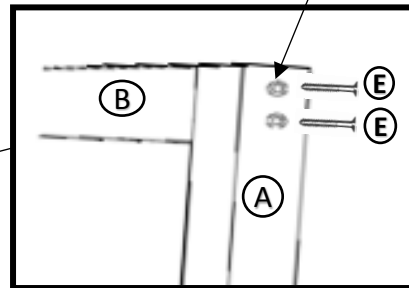
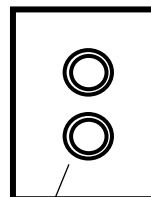
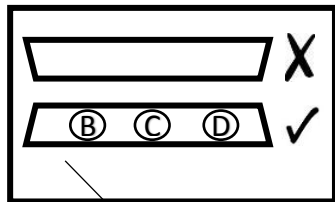
519.271.8544



crpproducts.com

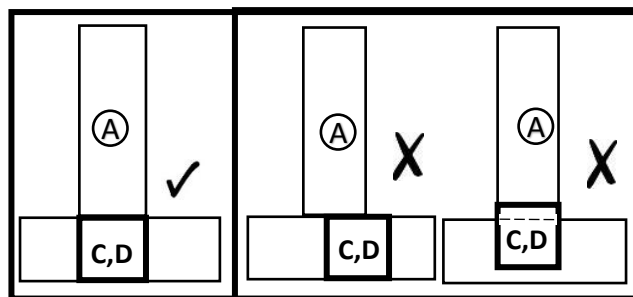
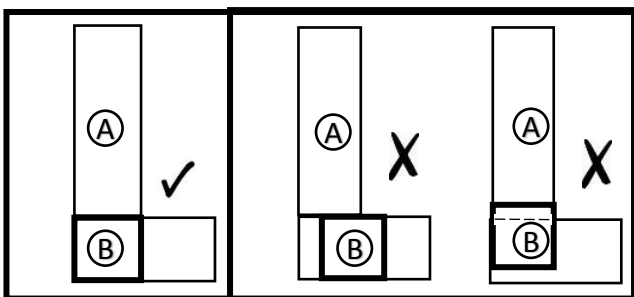
1

- (A) X 1
- (B) X 2
- (C) X 2
- (D) X 2
- (E) X 12



*

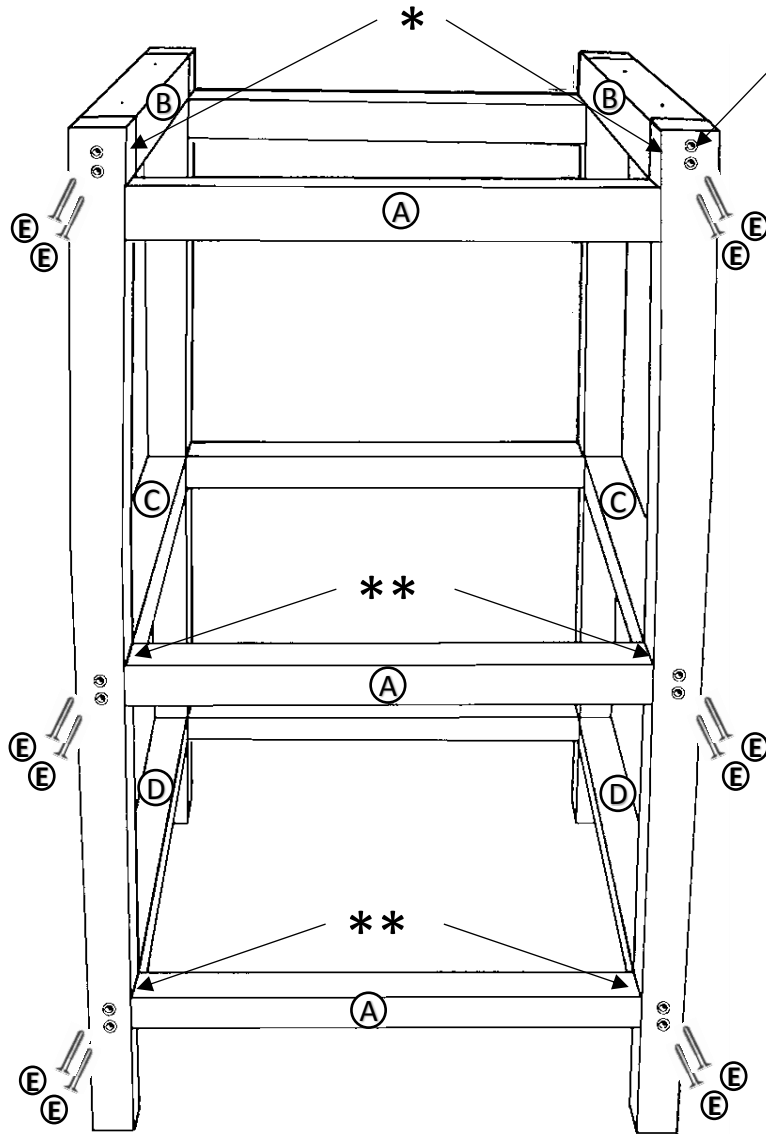
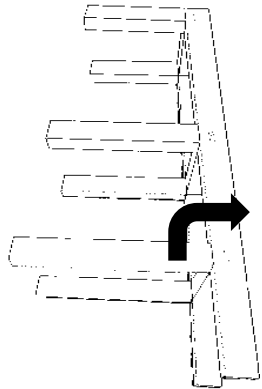
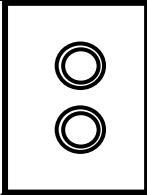
**



2

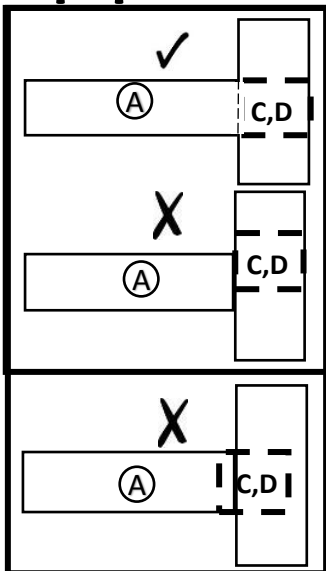
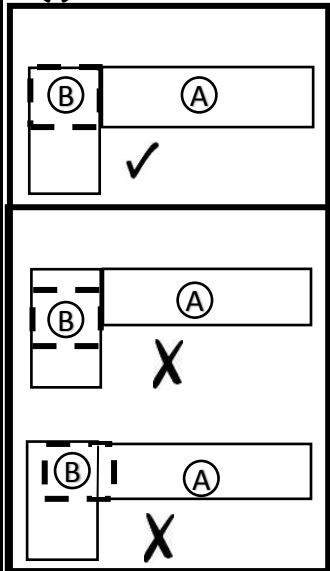
(A) X1

(E) X12



*

**



?

