

Product: Picnic Table (T50/T51)

Your purchase and who is C. R. Plastic Products Inc.?

C. R. Plastic Products Inc. is an environmentally conscious, Canadian owned Company. Our "Generation Line" of furniture is crafted from recycled plastic material. It will give you many years maintenance free comfort. By choosing this product you are helping to save generations of trees and reducing the burden on our landfill sites. Thank you for purchasing a Generation Line product from C. R. Plastic Products Inc.

PARTS

1. TABLE TOP ASSEMBLY (2 pcs)
2. TABLE TOP CENTER BOARD
3. SEATS (4 pcs)
4. SEAT BRACES (8 PCS)
5. FRAME / LEG ASSEMBLY (4 pcs)
6. FRAME GUSSETS (4 pcs)
7. HARDWARE / INSTRUCTION PACK
 - 50 – #8 x 2 ½" SS F.H. SCREWS
 - 4 – 3/8-16 x 6" CARRIAGE BOLTS
 - 35 – #8 x 1 ½" SS F.H. SCREWS
 - 35 – #8 x 2" SS F.H. SCREWS

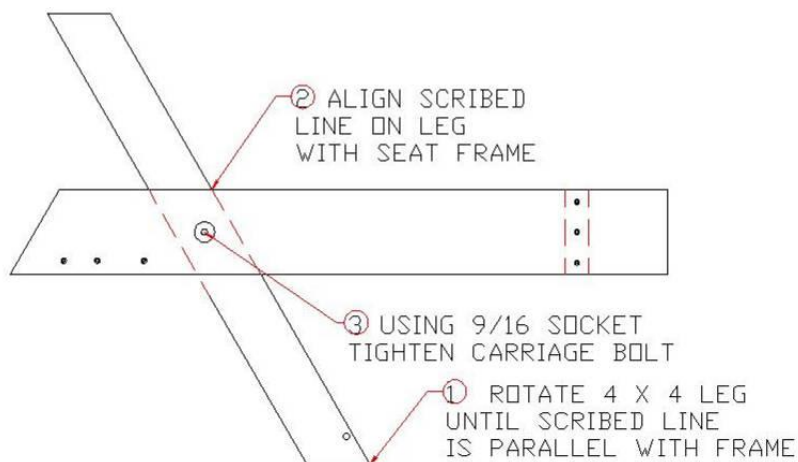
YOU WILL NEED:

1. 2 WILLING ASSISTANTS
2. DRILL & #2 ROBERTSON OR PHILLIPS BIT
3. 9/16" SOCKET / WRENCHES
4. HAMMER

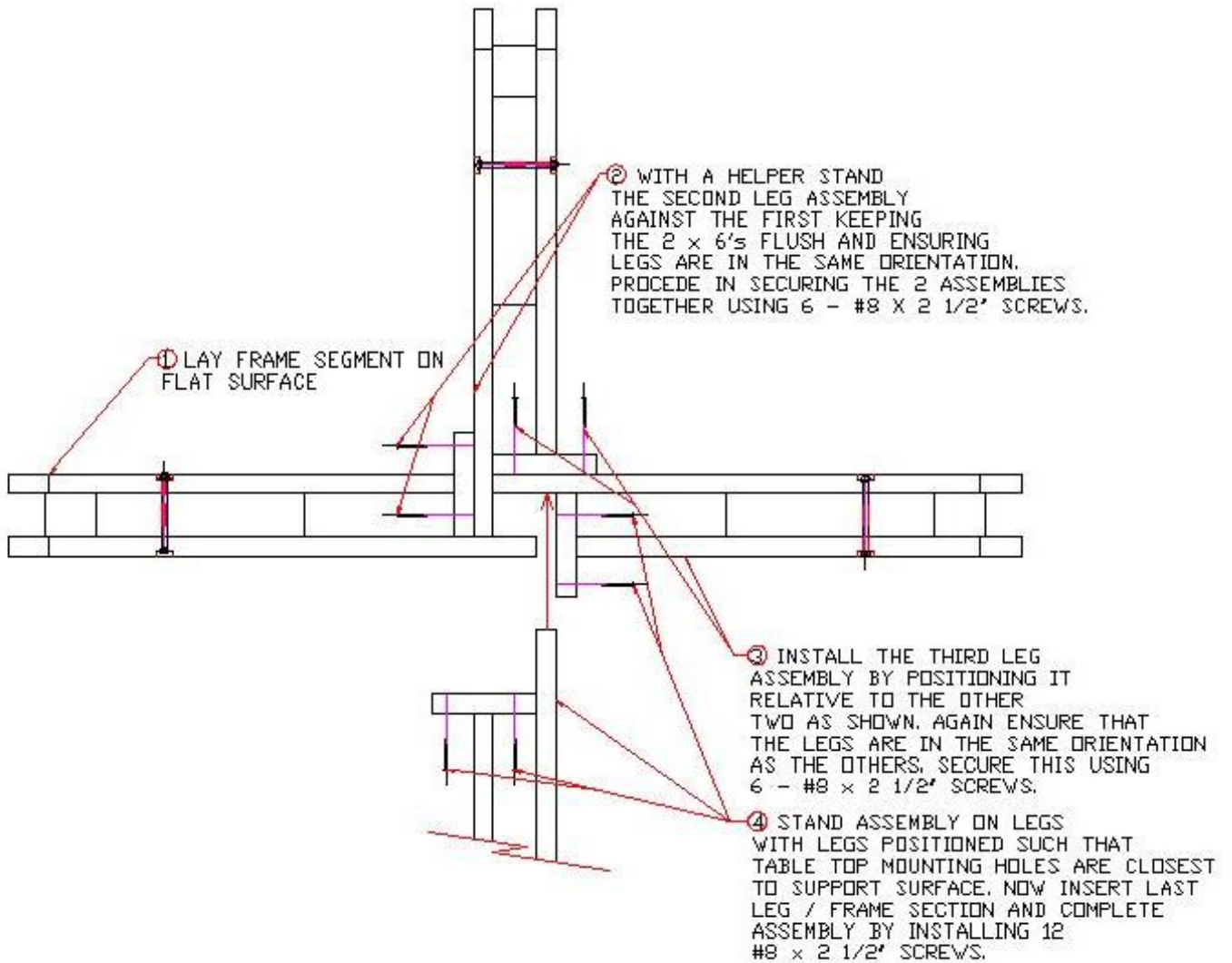


STEP 1: LEG ASSEMBLY

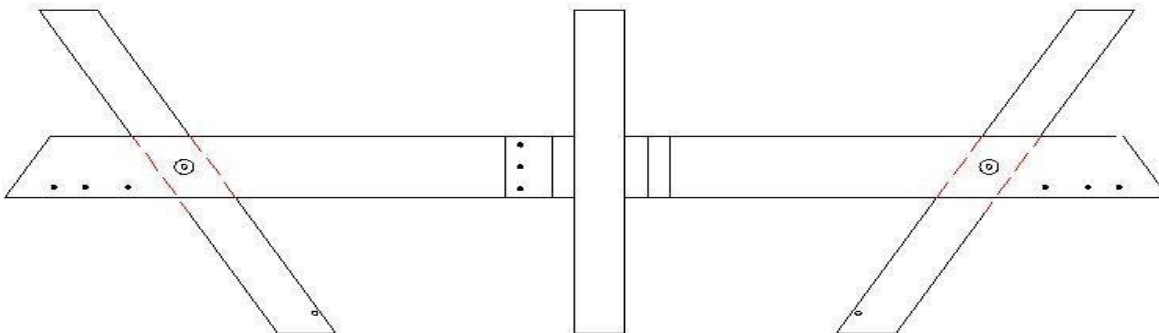
REPEAT THIS PROCEDURE FOR EACH OF THE 4 LEG / FRAME SEGMENTS



STEP 2: FRAME ASSEMBLY



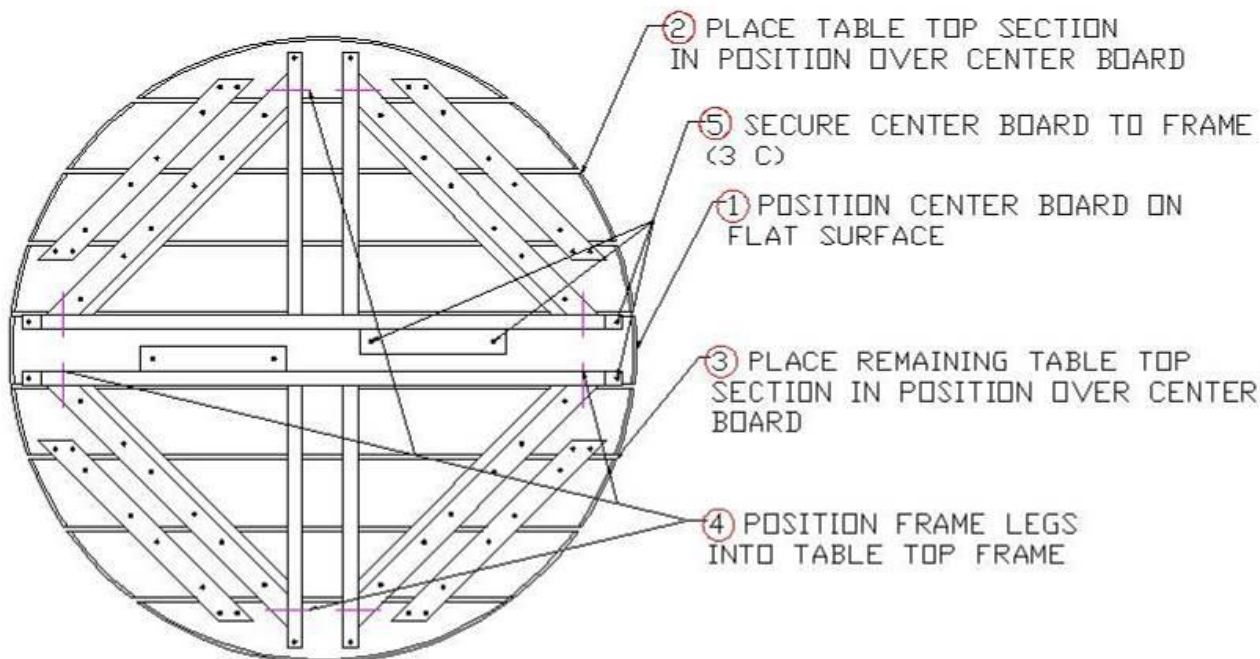
WITH STEP 2 COMPLETE THE FRAME SHOULD LOOK LIKE THIS.



Proudly Made In CANADA

STEP 3: ASSEMBLING THE FRAME TO THE TOP

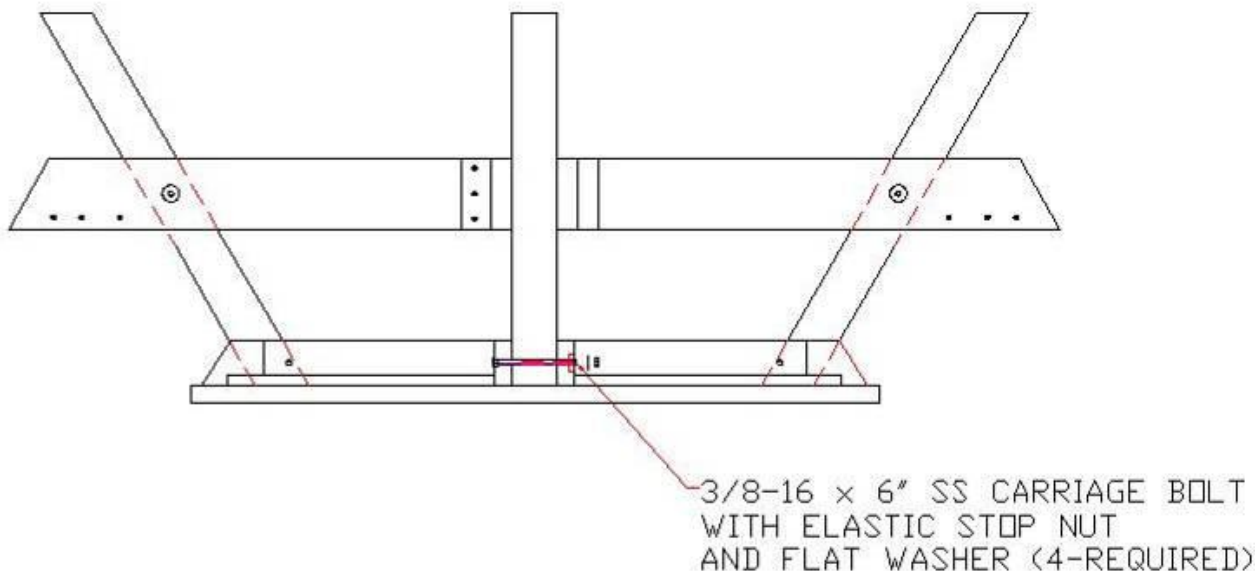
Figure 1



A) BEGIN BY POSITIONING THE TABLE TOP COMPONENTS AS SHOWN (1,2&3 in figure 1)

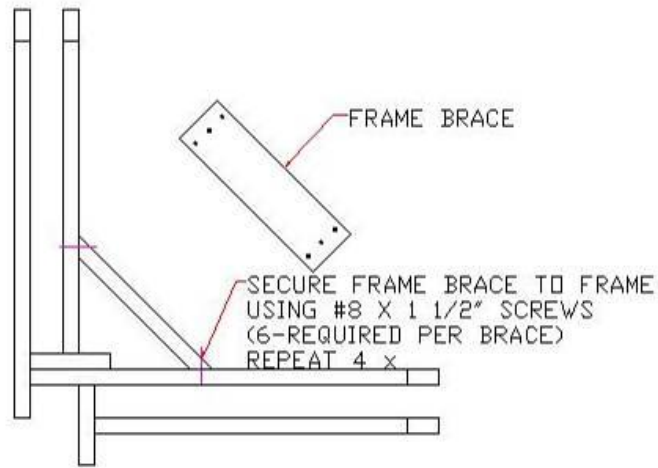
B) LIFT THE COMPLETED FRAME ASSEMBLY (STEP 2) INTO POSITION OVER THE TABLE TOP AND INSERT THE 4 x 4 LEGS INTO THE FRAME OPENINGS. SECURE EACH OF THE FOUR LEGS TO THE TABLE TOP USING A 3/8-16 x 6" SS CARRIAGE BOLT WITH NUT AND WASHER POSITIONED IN COUNTERSUNK HOLE (figure 2). TIGHTEN BOLTS. (bolt locations- item 4 in figure 1)

Figure 2

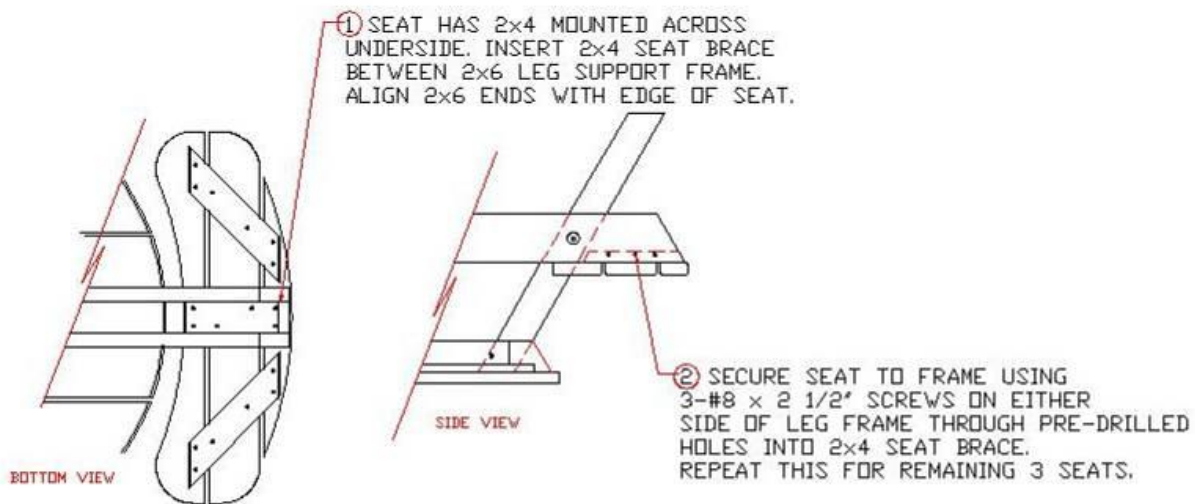


C) COMPLETE TOP ASSEMBLY BY SECURING CENTER BOARD TO FRAME USING 8 - #8 x 1 1/2" SCREWS. ENSURE BOARD IS CENTERED IN OPENING BEFORE PROCEEDING THEN INSTALL SCREWS.(screw positions – item 5 in figure 1)

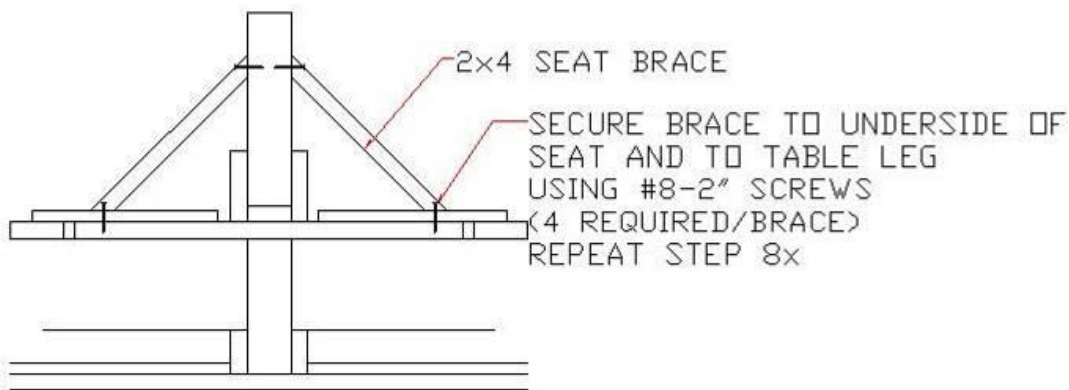
STEP 4: 2 x 6 FRAME BRACES



STEP 5: ASSEMBLING THE SEAT



STEP 6: 2x4 ANGLED SEAT BRACE



STEP 7: WITH 2 MORE STRONG FRIENDS TURN TABLE OVER AND ENJOY!