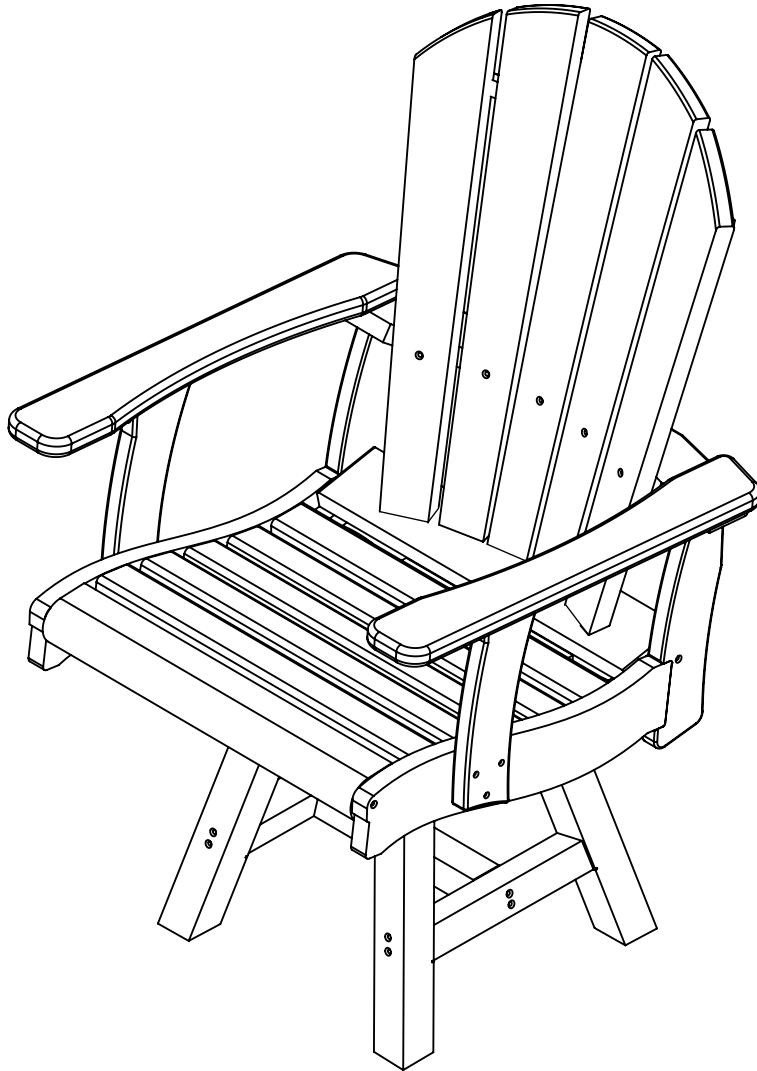




Generation Line

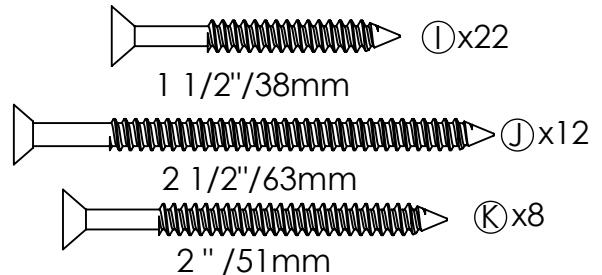
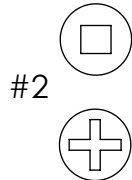
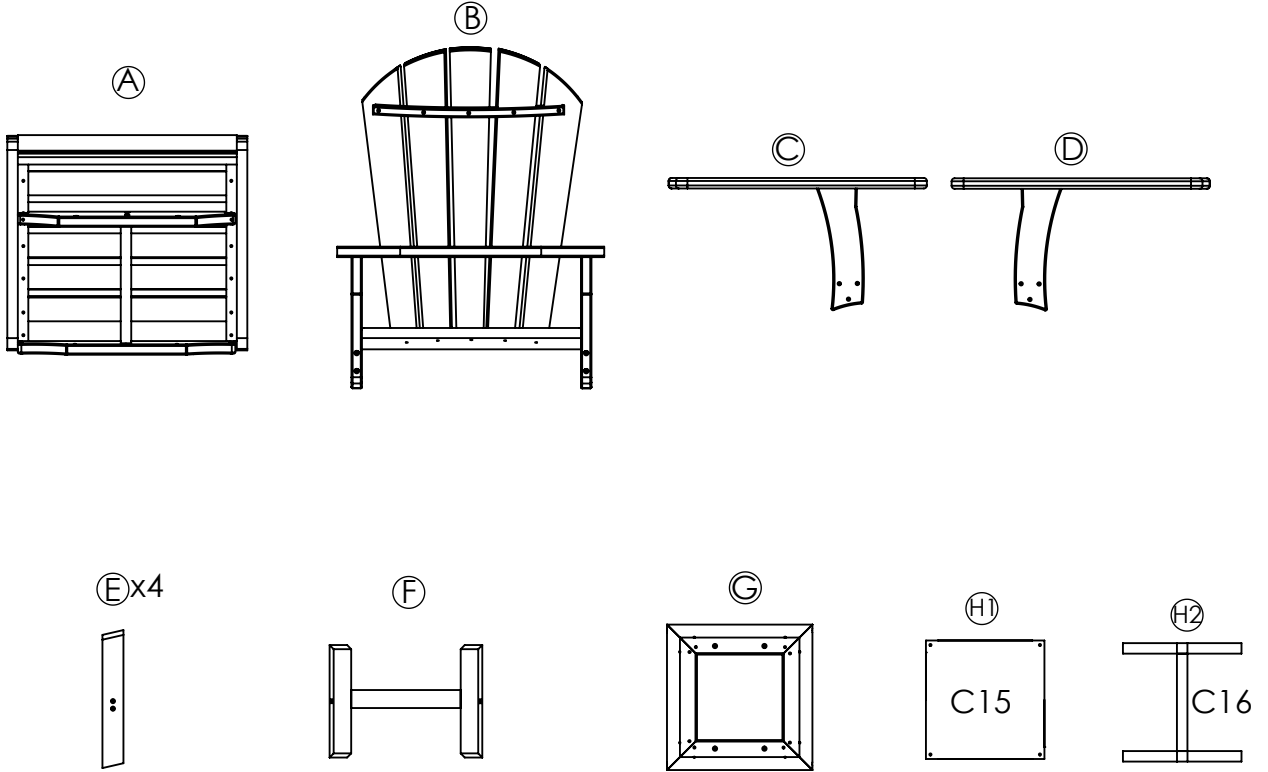
C15/C16





Generation Line

C15/C16



800.490.1283

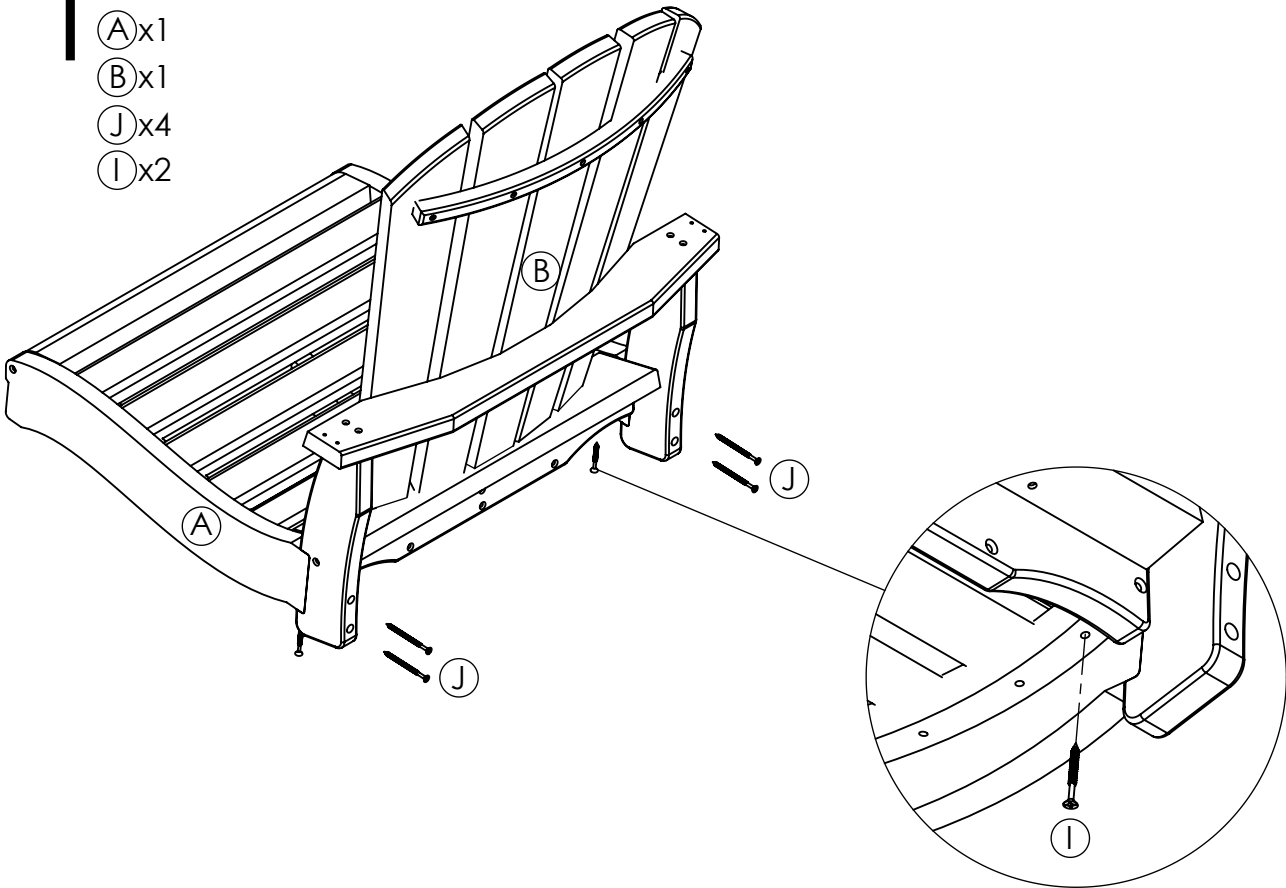
FAX 519.271.8544



crpproducts.com

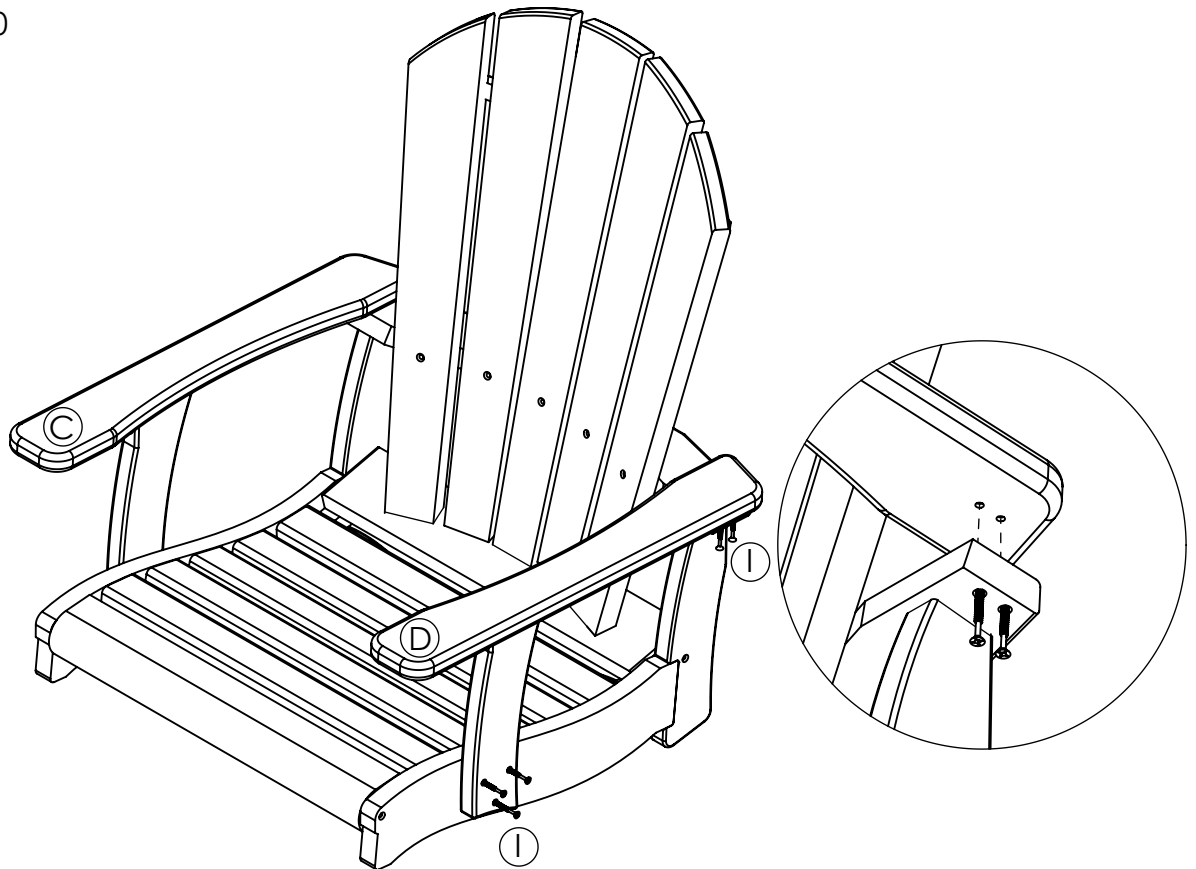
1

- (A)x1
- (B)x1
- (J)x4
- (I)x2



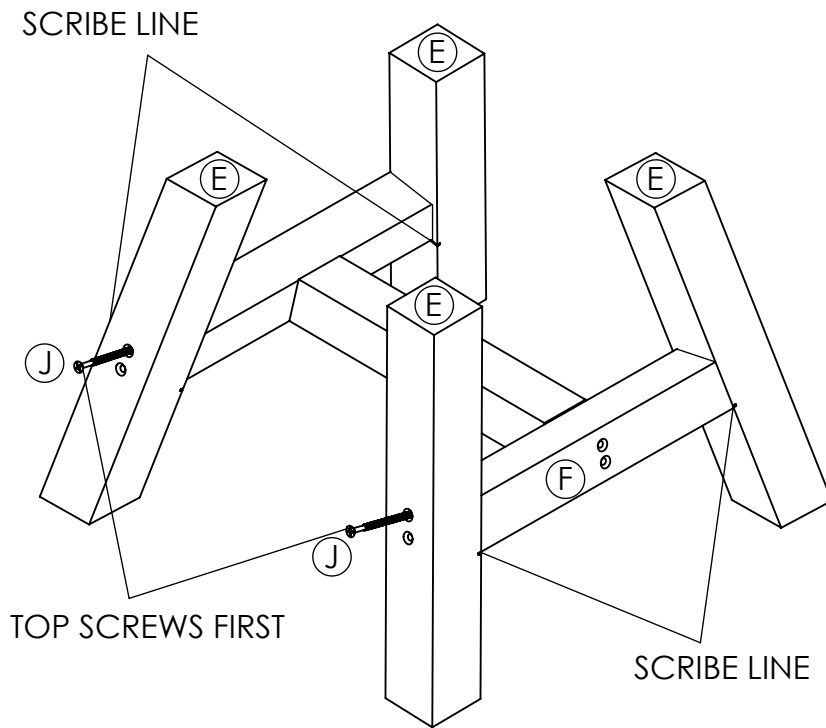
2

- (I)x10
- (C)x1
- (D)x1



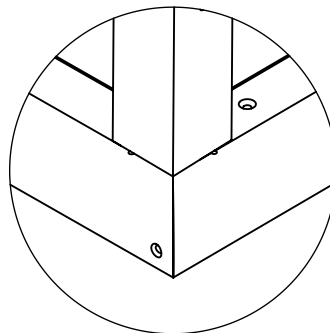
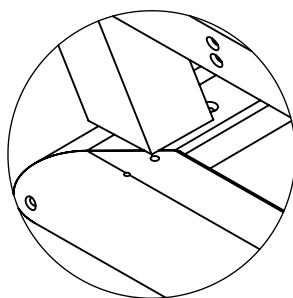
3

- ⓐx4
- ⓔx4
- ⓕx1

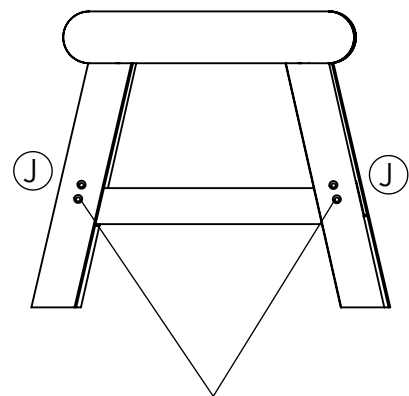
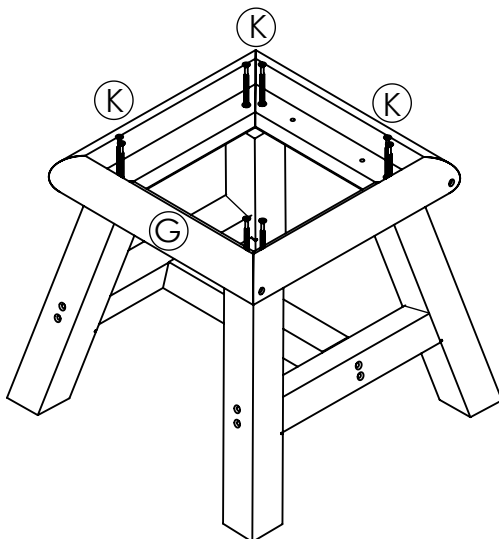


4

- Ⓚx8
- ⓖx1
- ⓐx4



LOCATION POINTS

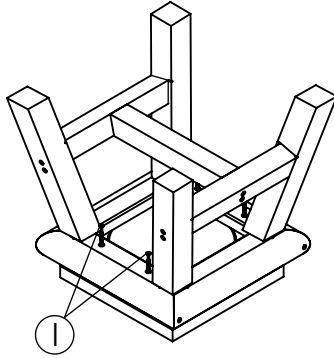
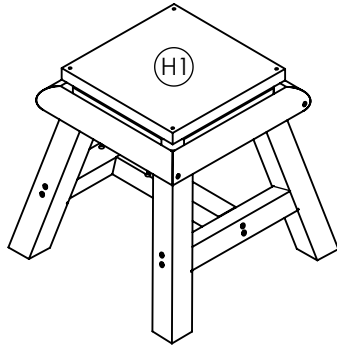


INSTALL BOTTOM SCREWS

5

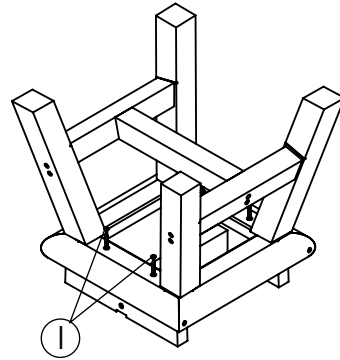
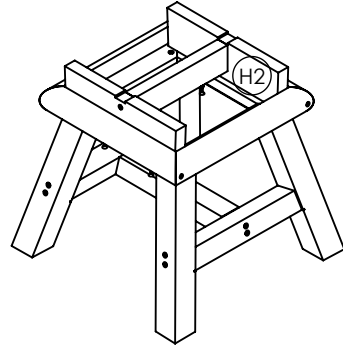
Ⓛx4
Ⓜ1x1

C15



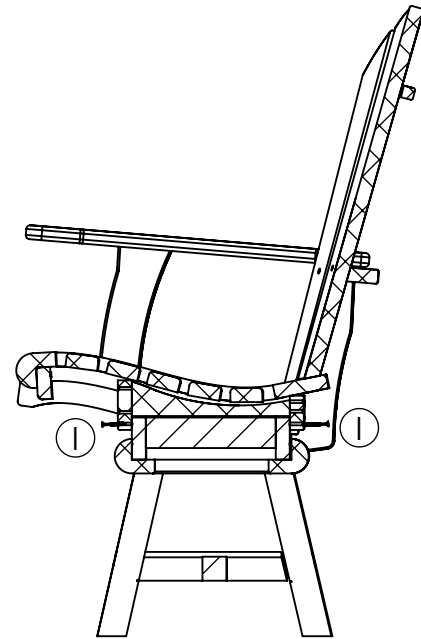
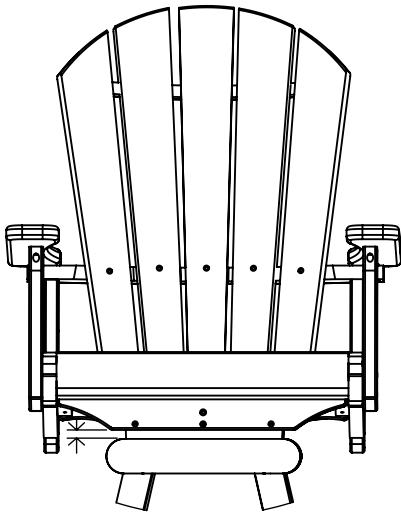
Ⓛx4
Ⓜ2x1

C16



6

Ⓛx6





Generation Line

C15/C16

