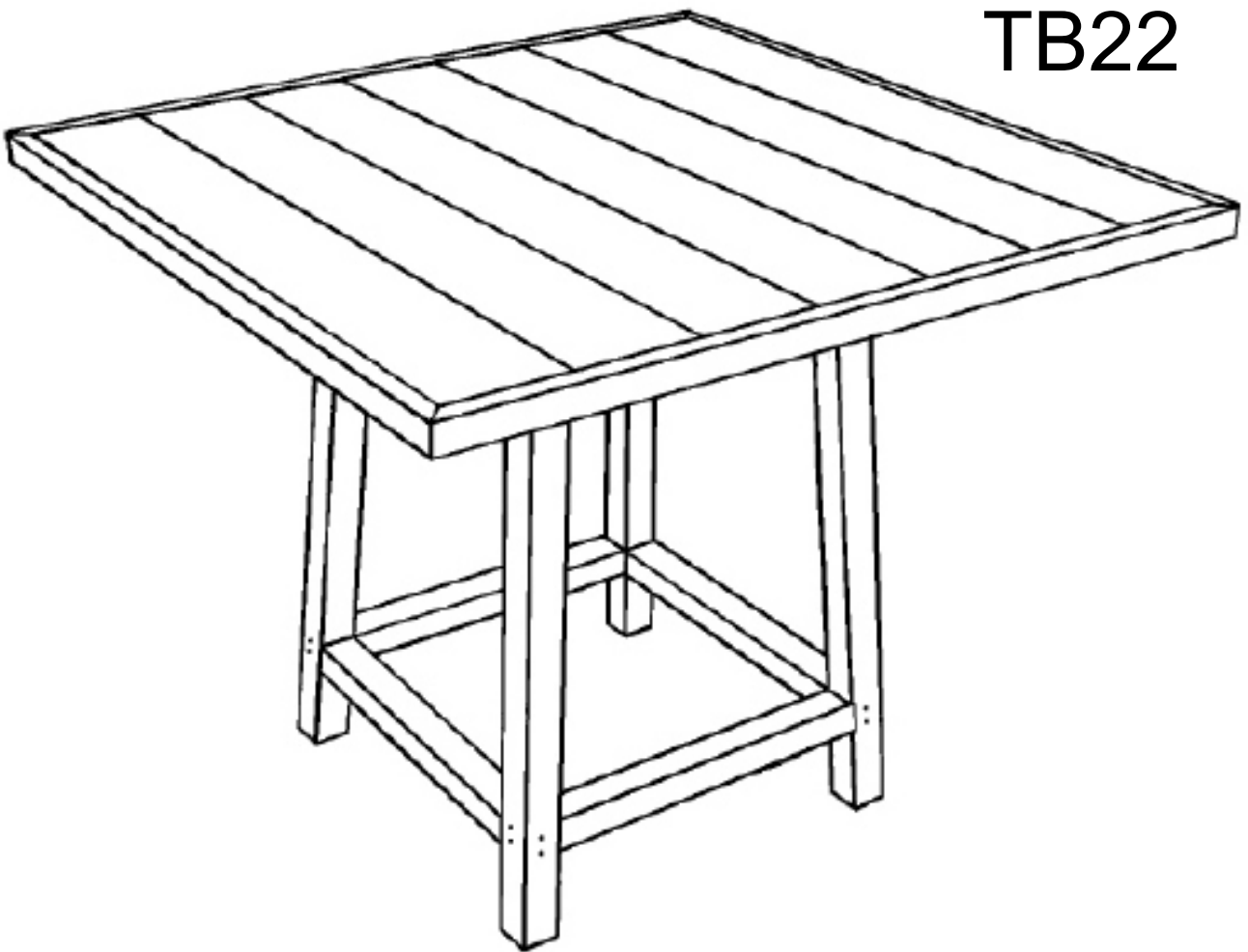




**Generation Line**  
BY C.R. PLASTIC PRODUCTS INC

T13  
TB23  
TB23C  
TB22





# Generation Line

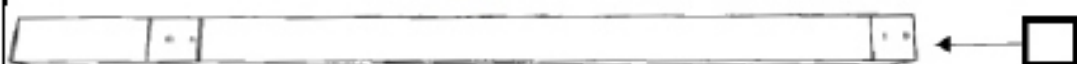
BY C.R. PLASTIC PRODUCTS INC

T13

(A) X 2



(B) X 2



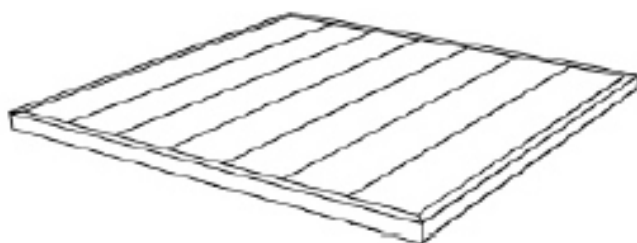
15 1/8" / 384 mm

(C) X 4

19 1/2" / 495 mm

(D) X 4

(E) X 1



3" / 76 mm

(F) X 32

1 1/2" / 38 mm

(G) X 6



800.490.1283

FAX 519.271.8544



crpproducts.com

# 1

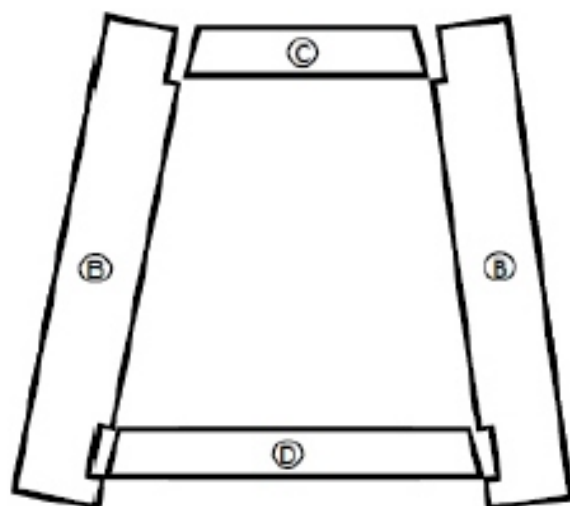
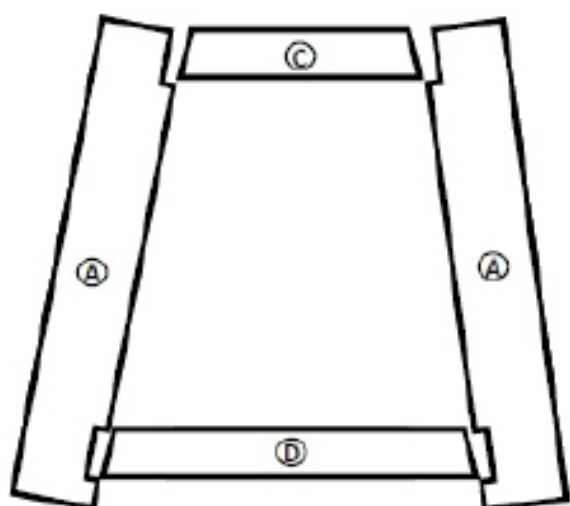
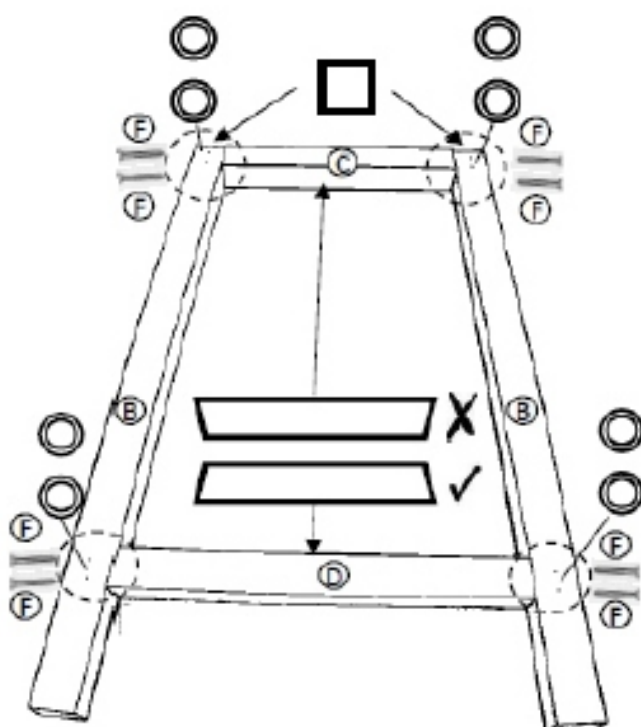
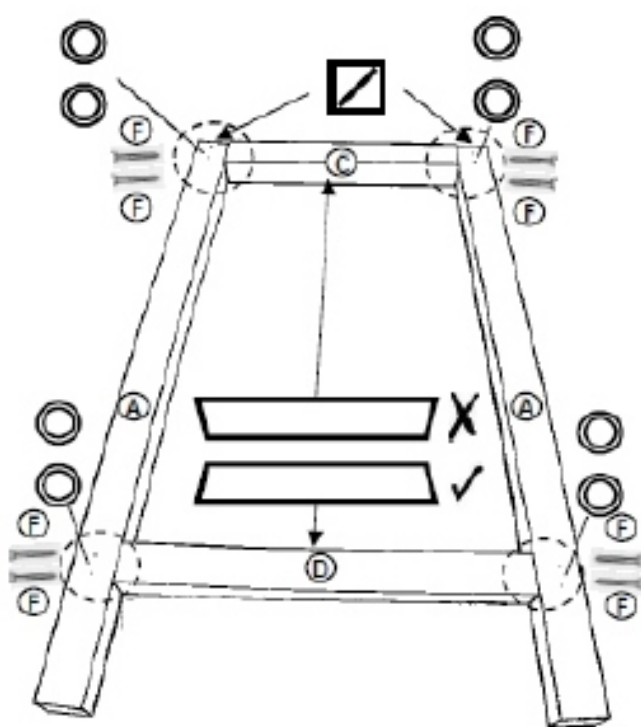
(A) X2

(D) X2

(B) X2

(F) X16

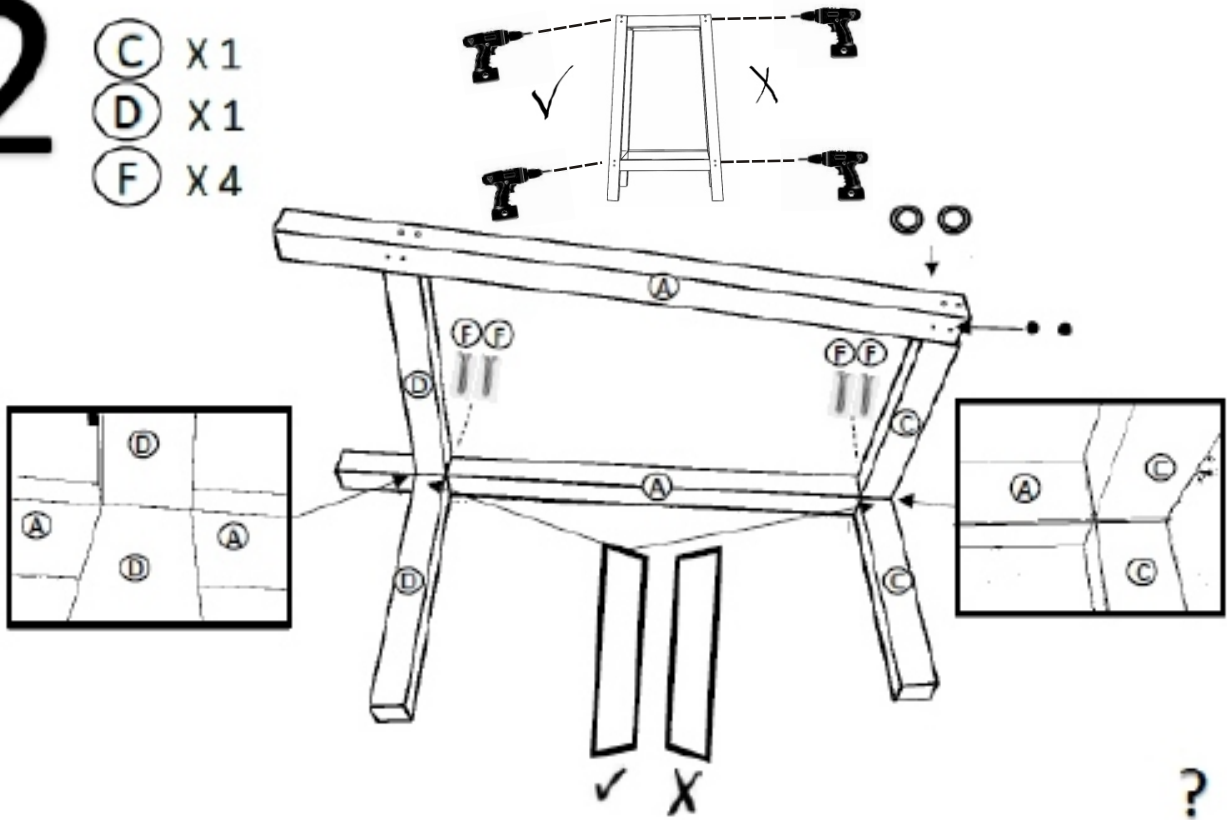
(C) X2



?

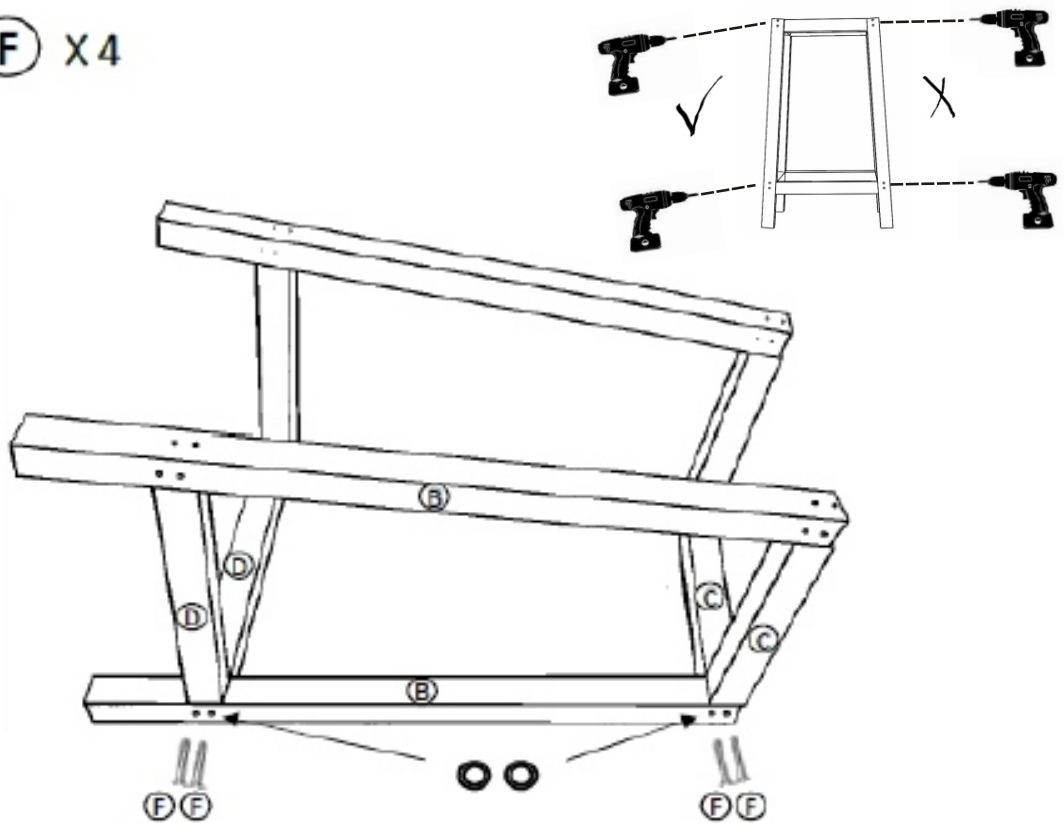
# 2

- (C) X1
- (D) X1
- (F) X4



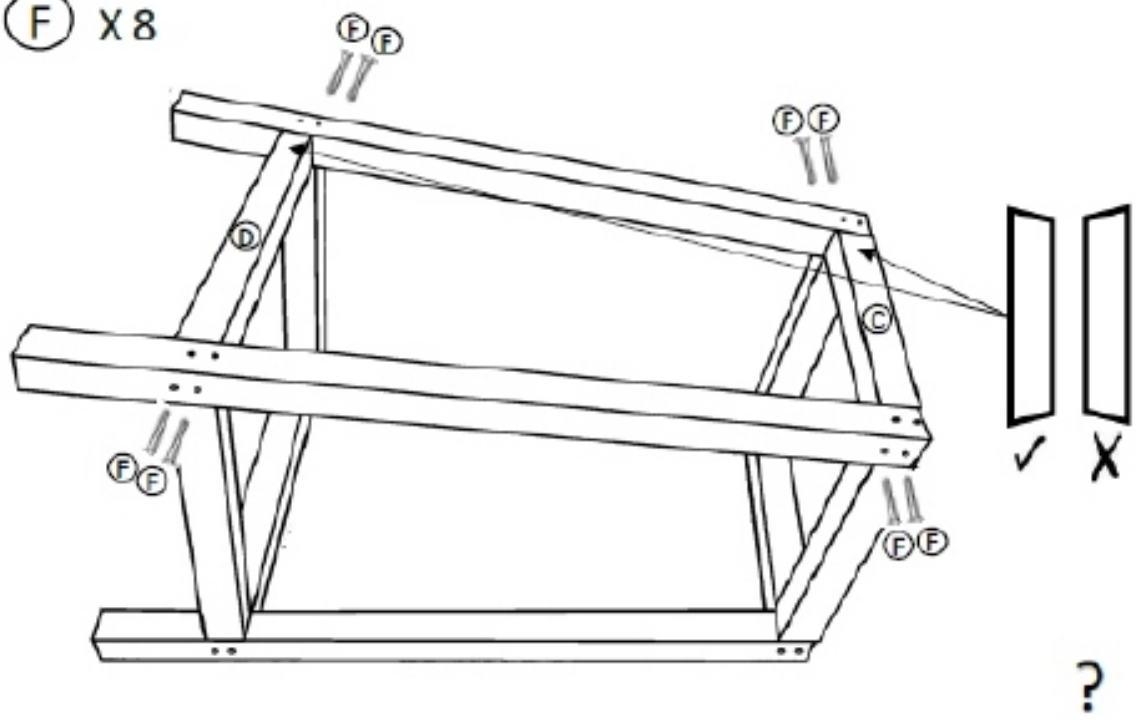
# 3

- (F) X4



# 4

- ⓐ X1
- ⓓ X1
- ⓕ X8



# 5

- ⓔ X1
- ⓖ X6

